

ECONOMICAL THREE-PIECE BALL VALVE

MODEL: V032N RATING: 1000 CWP

• DESIGN FEATURE:

- Applications for Hydraulic, Chemical, Steam, Oil/Gas, Oxygen, Vacuum.
- Three-Piece swing-out in-line maintenance design.
- Thrust washer prevents galling, reduces torque and provides secondary stem seal.
- Long cycle life, low uniform torques.
- Adjustable stem packing gland nut.
- Double D stem head design provides mounting of the lever.
- Bottom entry blow-out proof stem design provides maximum safety.
- Lock device is available.
- Oval handle is option.
- End connections: female threaded, butt-weld, socket-weld.
- Investment cast body construction.
- DIN EN 10204-3.1 Certificate is available.



• STANDARD:

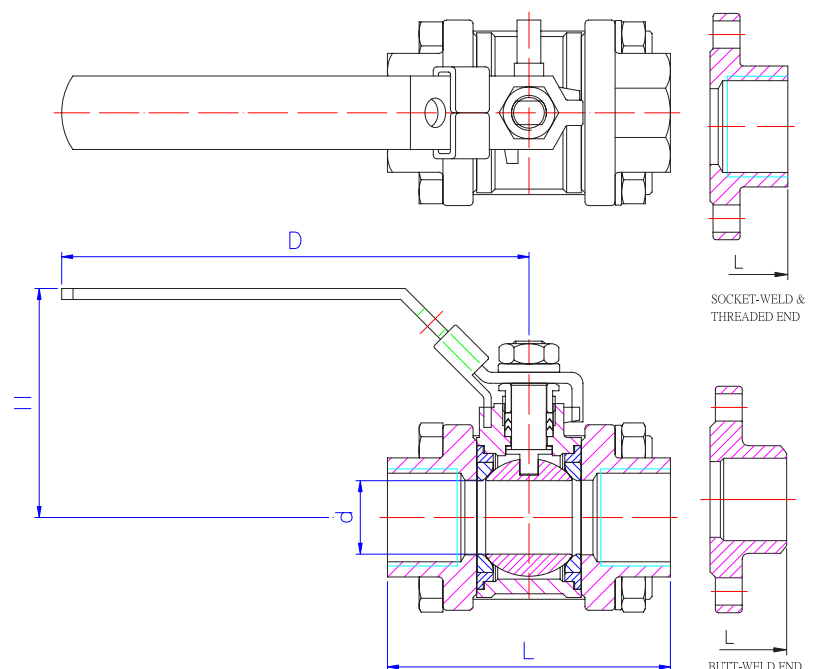
- Female pipe threaded to NPT, DIN 259/2999, BS21.
- Inspection & testing according to API 598.
- PED 97/23/EC; ISO 9001.

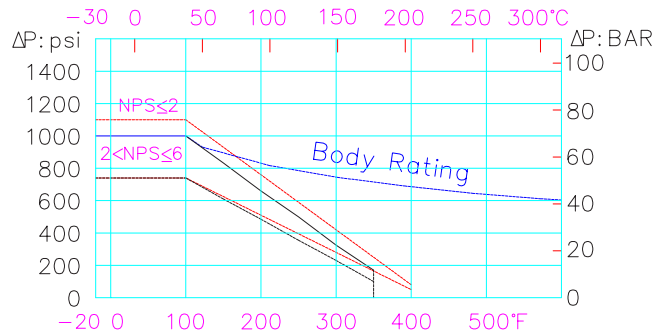
• SPECIFICATIONS:

- Construction: Three-Piece bolted connect ion end-entry floating ball design.
- Flow bore: full port.
- Rating: 1000PSI; 150 PSI saturated stem.
- Temperature: -20°f – 400°F (PTFE/R.PTFE).
- Materials: ASTM CF8M, CF8, WCB.
- Size range: ¼" – 4".

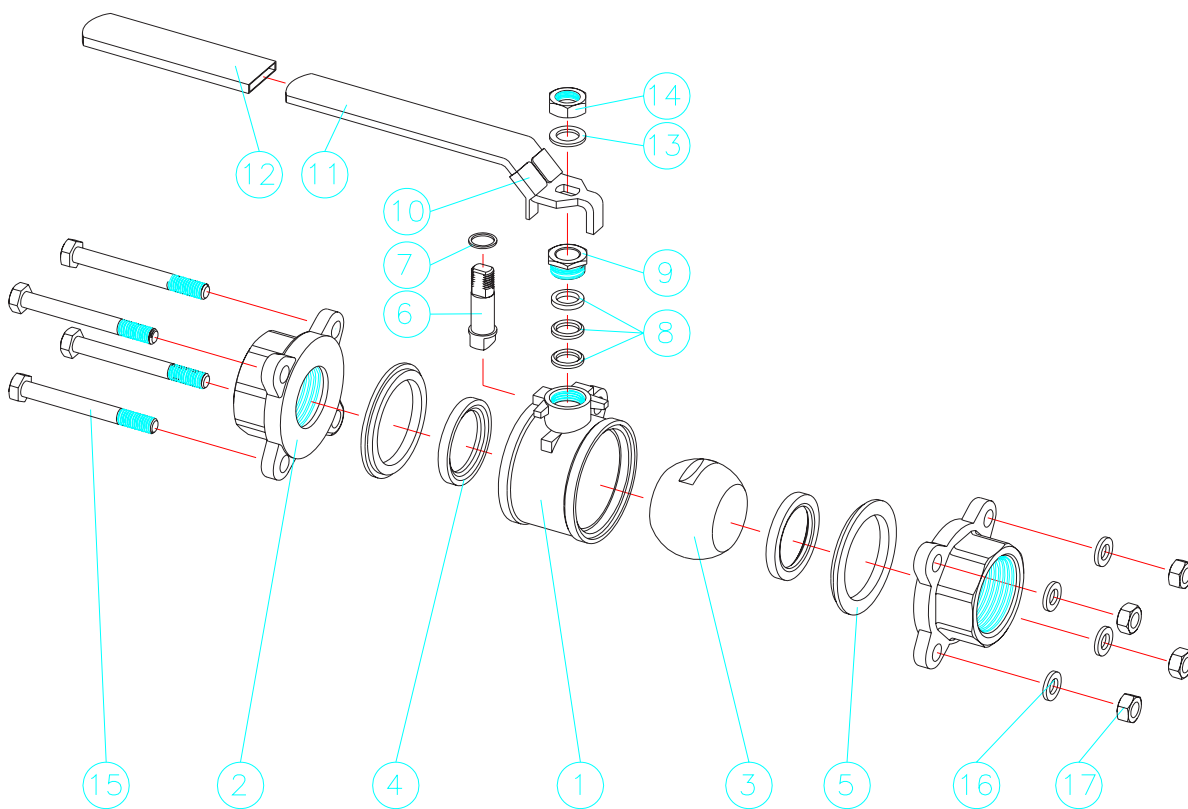
• DIMENSIONS LIST

Size	d	L	D	H	Cv
¼"	11.6	60	108	52	8
3/8"	12.7	60	108	52	10
½"	15	75	108	57	13
¾"	20	78	132	59	50
1"	25	85	153	71	93
1-1/4"	32	104	153	78	170
1-1/2"	38	120	195	91	250
2"	50	130	195	92	450
2-1/2"	65	163	265	131	750
3"	80	182	265	140	1300
4"	100	230	285	175	2400





PTFE/R.PTFE Ball SEAT Pressure-Temperature RATING



• MATERIALS LIST:

NO	PART NAME	MATERIAL	NO	PART NAME	MATERIA
1	BODY	CF8M/CF8/WCB	11	HANDLE	SS304
2	END CAP	CF8M/CF8/WCB	12	HANDLE SLEEVE	VINYL
3	SOLID BALL	CF8M	13	WASHER	SS304
4	BALL SEAT	PTFE	14	HANDLE NUT	SS304
5	BODY SEAL	PTFE	15	BOLT	SS304
6	STEM	SS316	16	WASHER	SS304
7	THRUST WASHER	PTFE	17	NUT	SS304
8	STEM PACKING	PTFE	18		
9	GLAND NUT	SS304	19		
10	LOCKING DEVICE	SS304	20		