

## Economical Three-Piece Ball valve

**Model: V032N**

**Rating: 1000 CWP**

### Design feature:

- Applications for Hydraulic, Chemical, Steam, Oil/ Gas, Oxygen, Vacuum.
- Three- Piece Swing-Out In-Line Maintenance Design.
- Thrust washer prevents galling, reduces torque and provides secondary stem seal.
- Long cycle life, Low uniform torques.
- Adjustable stem packing gland nut.
- Double D Stem Head Design Provides Mounting Of The Lever.
- Bottom Entry Blow-Out Proof Stem design Provides Maximum Safety.
- Lock device is available.
- Oval handle is option.
- End Connections: Female threaded, Butt-weld, Socket-Weld.
- Investment cast body construction.
- DIN EN 10204-3.1 Certificate is Available

### Standard:

- Female pipe Threaded to NPT, DIN 259/2999, BS21..
- Inspection & testing according to API 598.
- PED 97/23/EC; ISO 9001

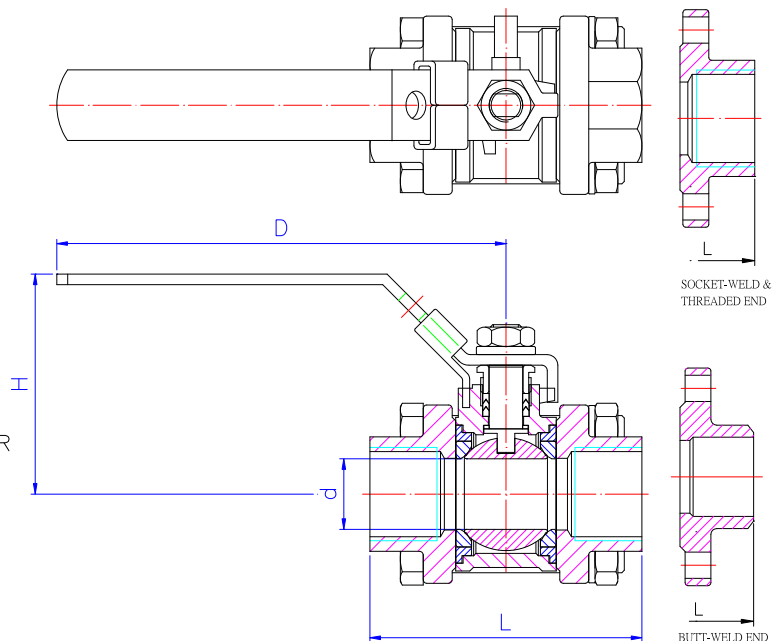


### Specifications:

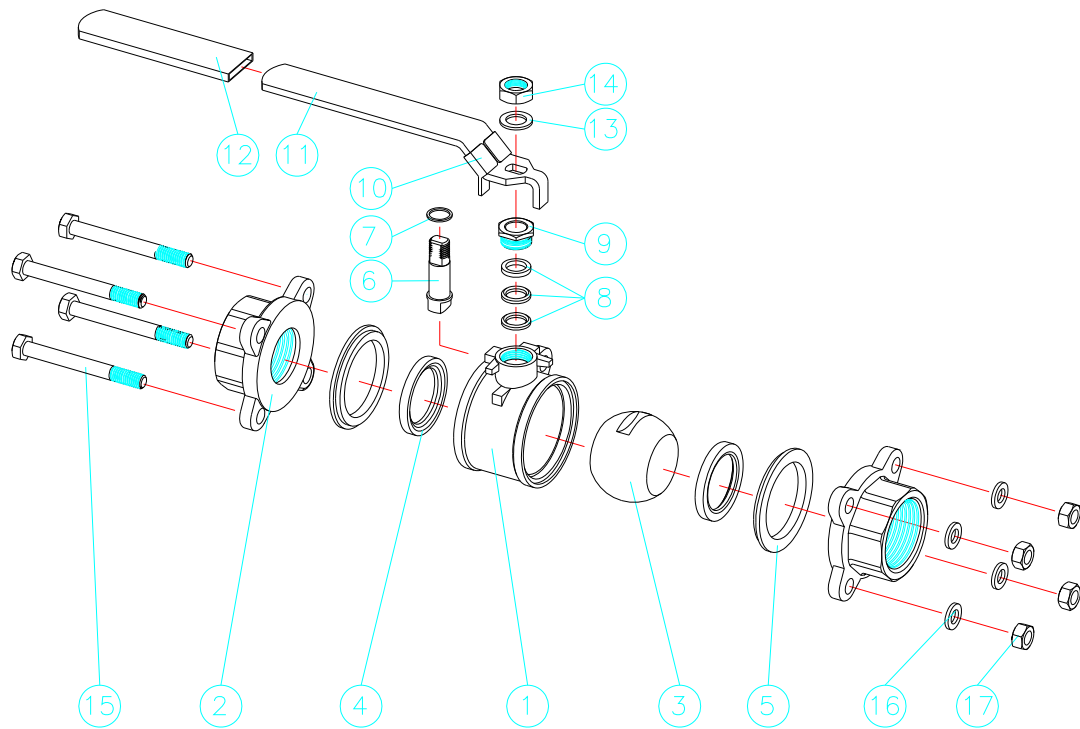
- Construction: Three- Piece bolted connect ion end-entry floating ball design.
- Flow bore: Full port.
- Rating: 1000 PSI; 150 PSI Saturated Steam.
- Temperature: -20°F ~ 400°F (PTFE/ R.PTFE)
- Materials: ASTM CF8M,CF8, WCB
- Size range: 1/4"~4".

### Dimensions List

Size	d	L	D	H	Cv
1/4"	11.6	60	108	52	8
3/8"	12.7	60	108	52	10
1/2"	15	75	108	57	13
3/4"	20	78	132	59	50
1"	25	85	153	71	93
1-1/4"	32	104	153	78	170
1-1/2"	38	120	195	91	250
2"	50	130	195	92	450
2-1/2"	65	163	265	131	750
3"	80	182	265	140	1300
4"	100	230	285	175	2400



PTFE/R.PTFE Ball SEAT Pressure-Temperature RATING



### MATERIALS LIST:

NO	PART NAME	MATERIAL	NO	PART NAME	MATERIAL
1	BODY	CF8M/ CF8/ WCB	11	HANDLE	SS304
2	END CAP	CF8M/ CF8/ WCB	12	HANDLE SLEEVE	VINYL
3	SOLID BALL	CF8M	13	WASHER	SS304
4	BALL SEAT	PTFE	14	HANDLE NUT	SS304
5	BODY SEAL	PTFE	15	BOLT	SS304
6	STEM	SS316	16	WASHER	SS304
7	THRUST WASHER	PTFE	17	NUT	SS304
8	STEM PACKING	PTFE	18		
9	GLAND NUT	SS304	19		
10	LOCKING DEVICE	SS304	20		